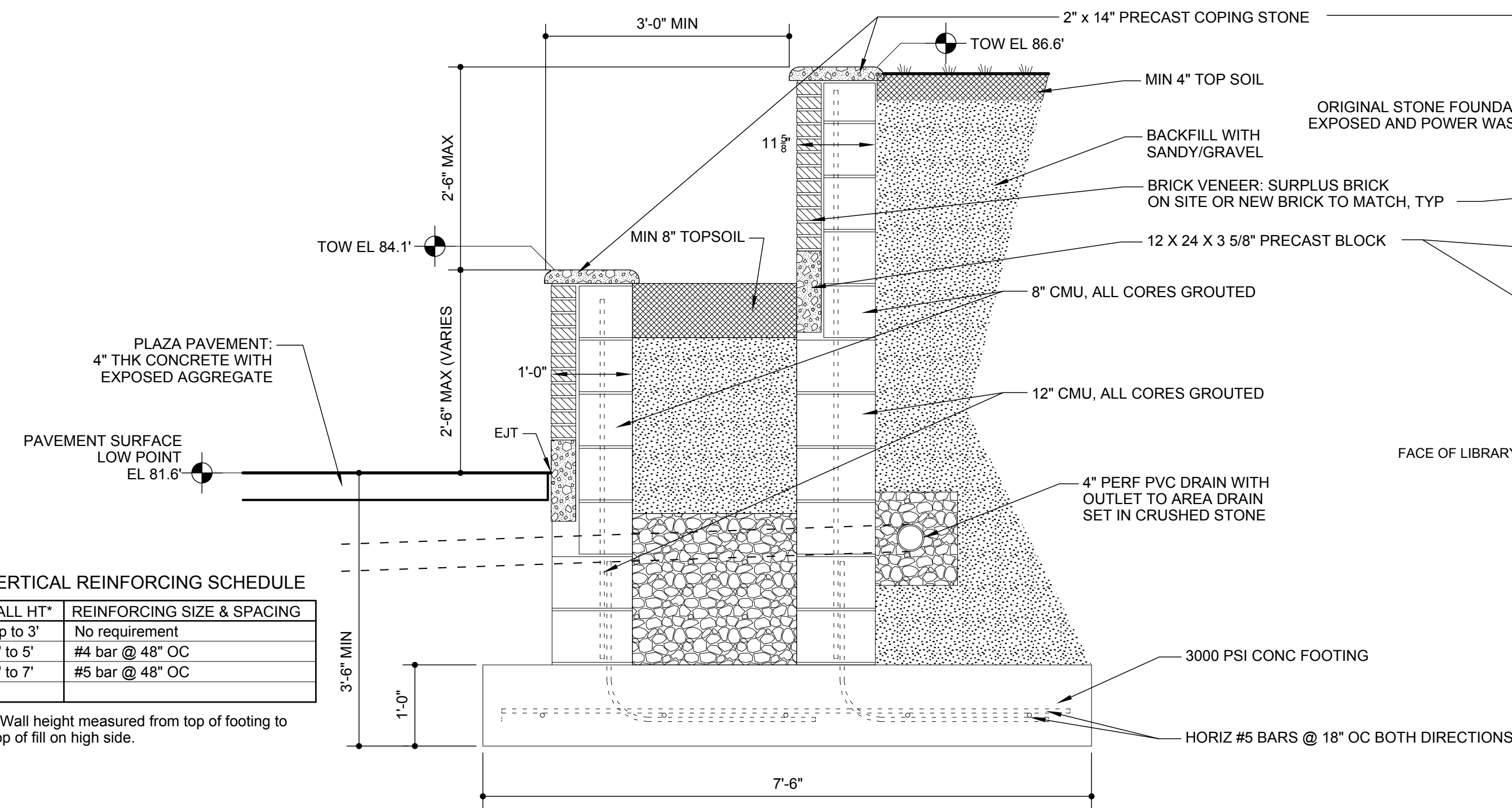


**VERTICAL REINFORCING SCHEDULE**

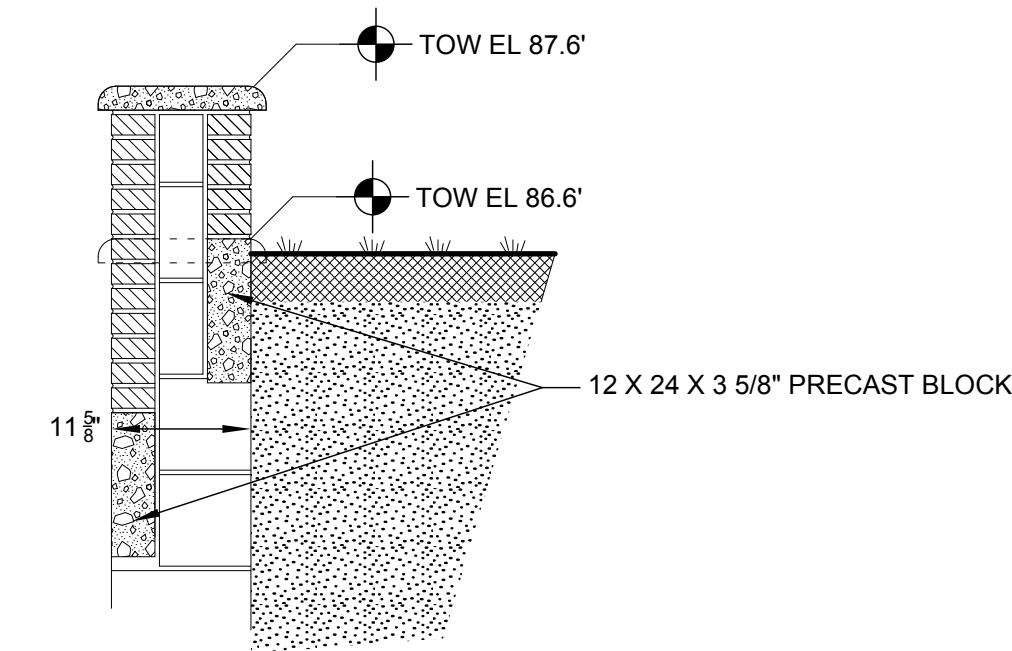
WALL HT*	REINFORCING SIZE & SPACING
up to 3'	No requirement
3' to 5'	#4 bar @ 48" OC
5' to 7'	#5 bar @ 48" OC

\* Wall height measured from top of footing to top of fill on high side.

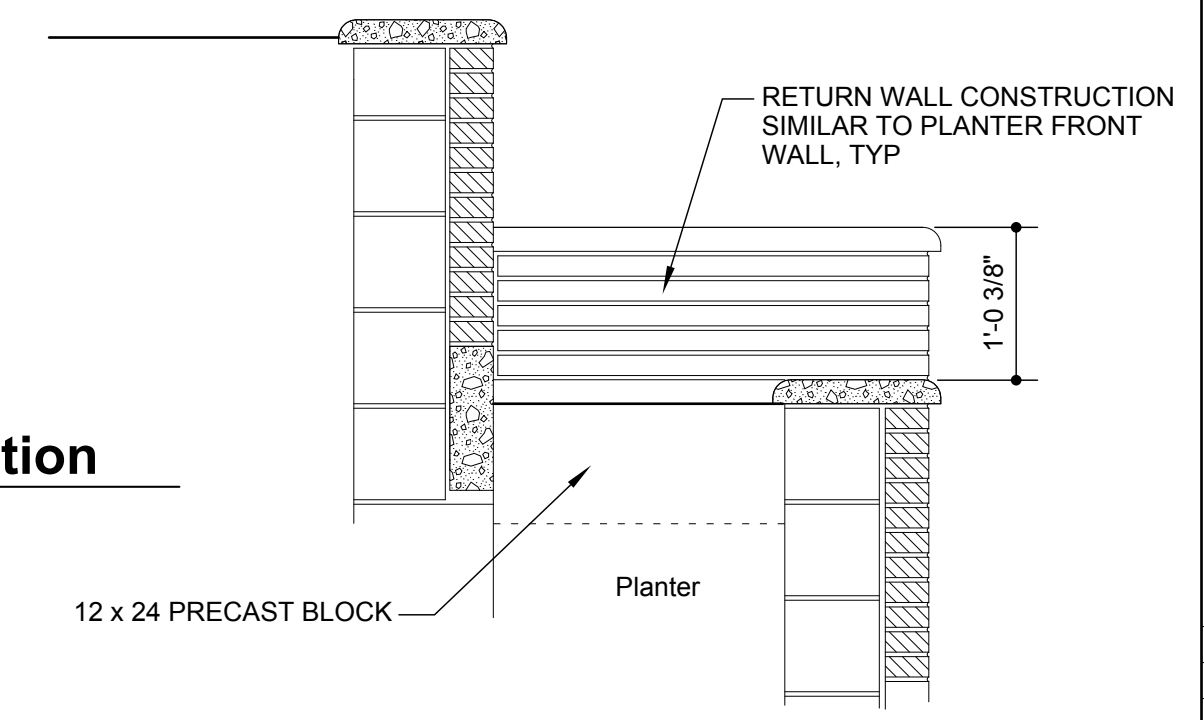
**1 Retaining Wall Detail @ Plaza Low Point**  
A 4.0 / 3/4" = 1' - 0"



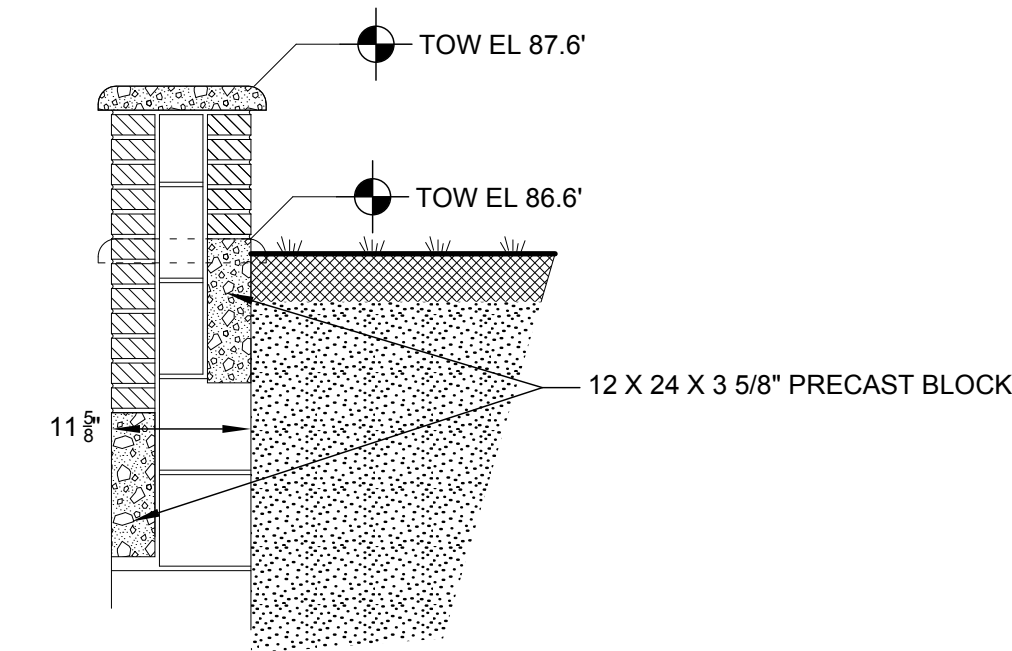
**2 Retaining Wall Detail Elevation**  
A 4.0 / 3/4" = 1' - 0"



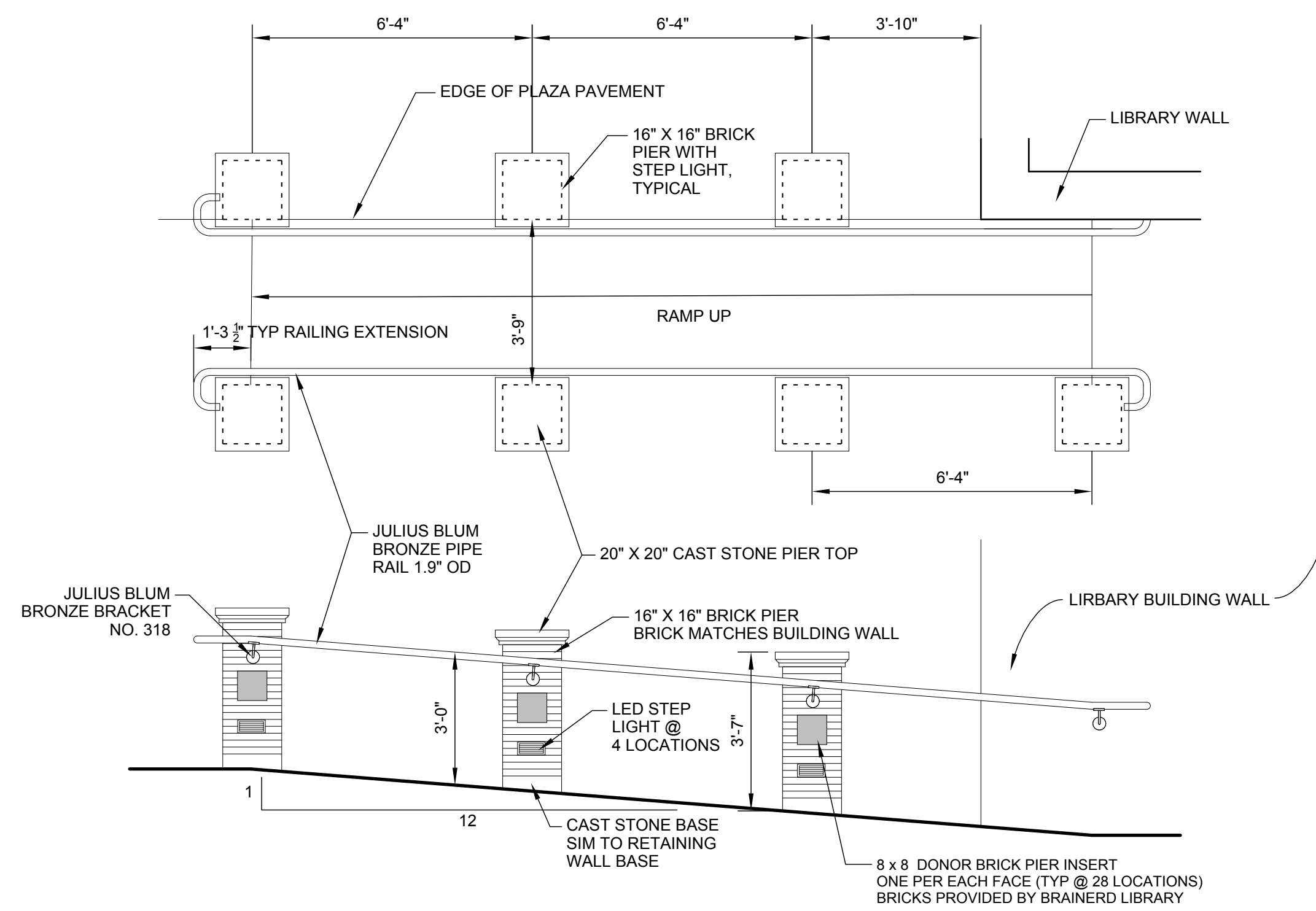
**4 Planter Return Wall Elevation**  
A 4.0 / 3/4" = 1' - 0"



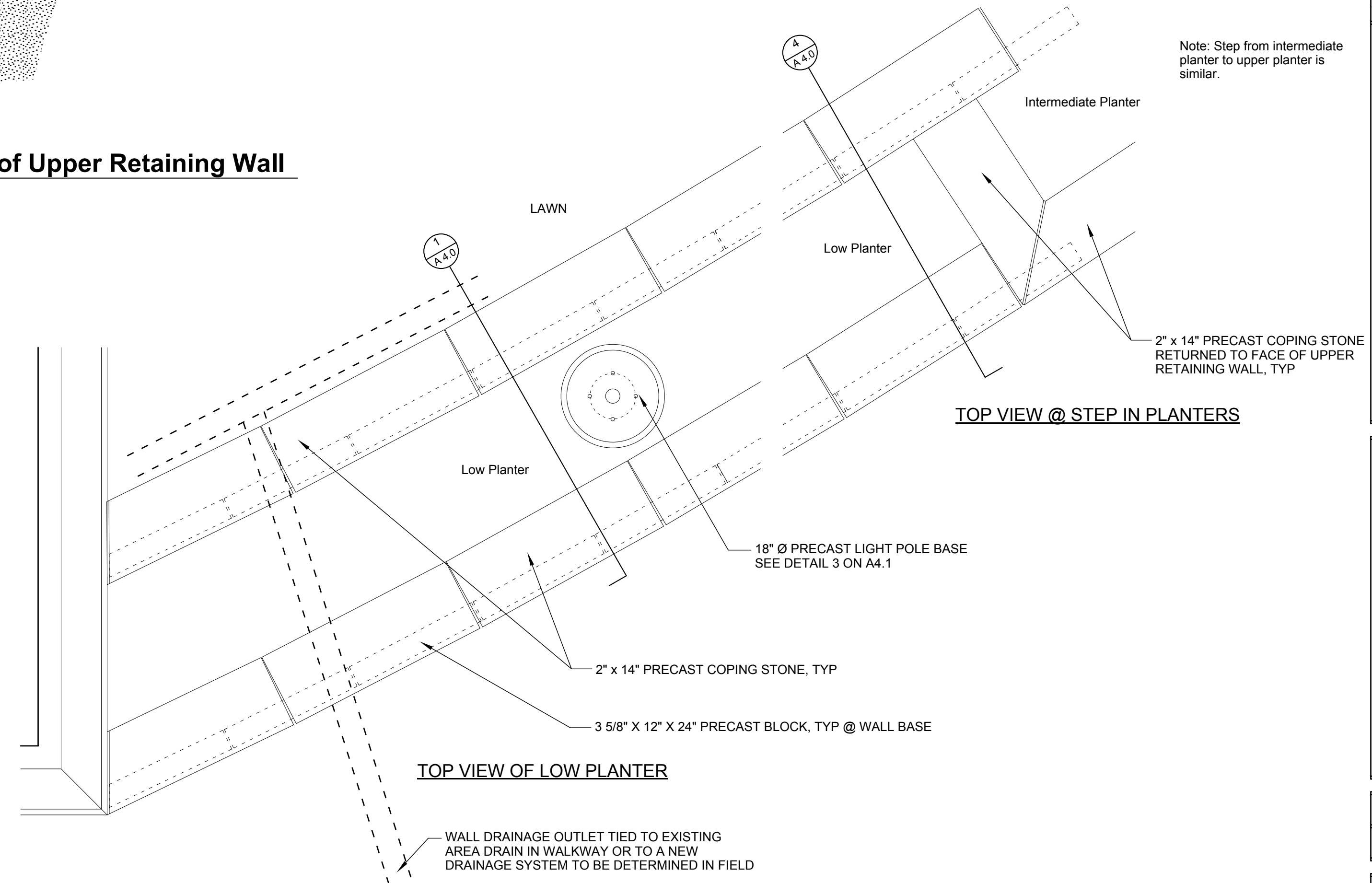
**5 Sitting Wall Portion of Upper Retaining Wall**  
A 4.0 / 3/4" = 1' - 0"



**6 Ramp Plan and Section**  
A 4.0 / 3/8" = 1' - 0"

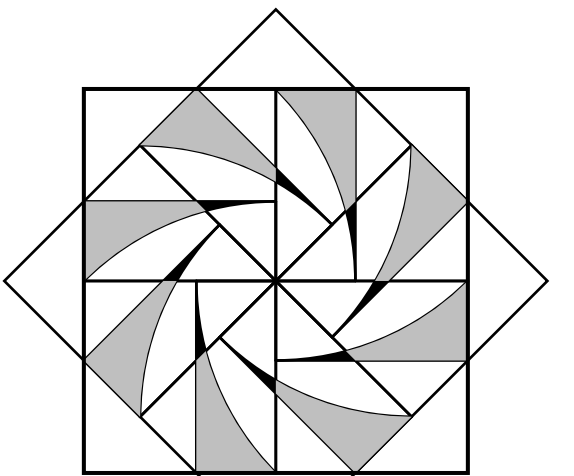


**3 Retaining Wall Top Views**  
A 4.0 / 3/4" = 1' - 0"



REVISIONS

Date	Notes



J. W. HUBER ARCHITECT  
45 Bokum Rd. P. O. Box 441  
Essex, CT 06426  
(860) 767-7334

Brainerd Memorial Library  
North Parking Lot, Pedestrian  
Plaza & Associated Work

920 Saybrook Road  
Haddam, CT 06438

Pedestrian Plaza Details

Job No. 18-1113

Drawn by	Date May 16, 2019
Checked by	Scale 1/4" = 1'-0"

A  
4.0