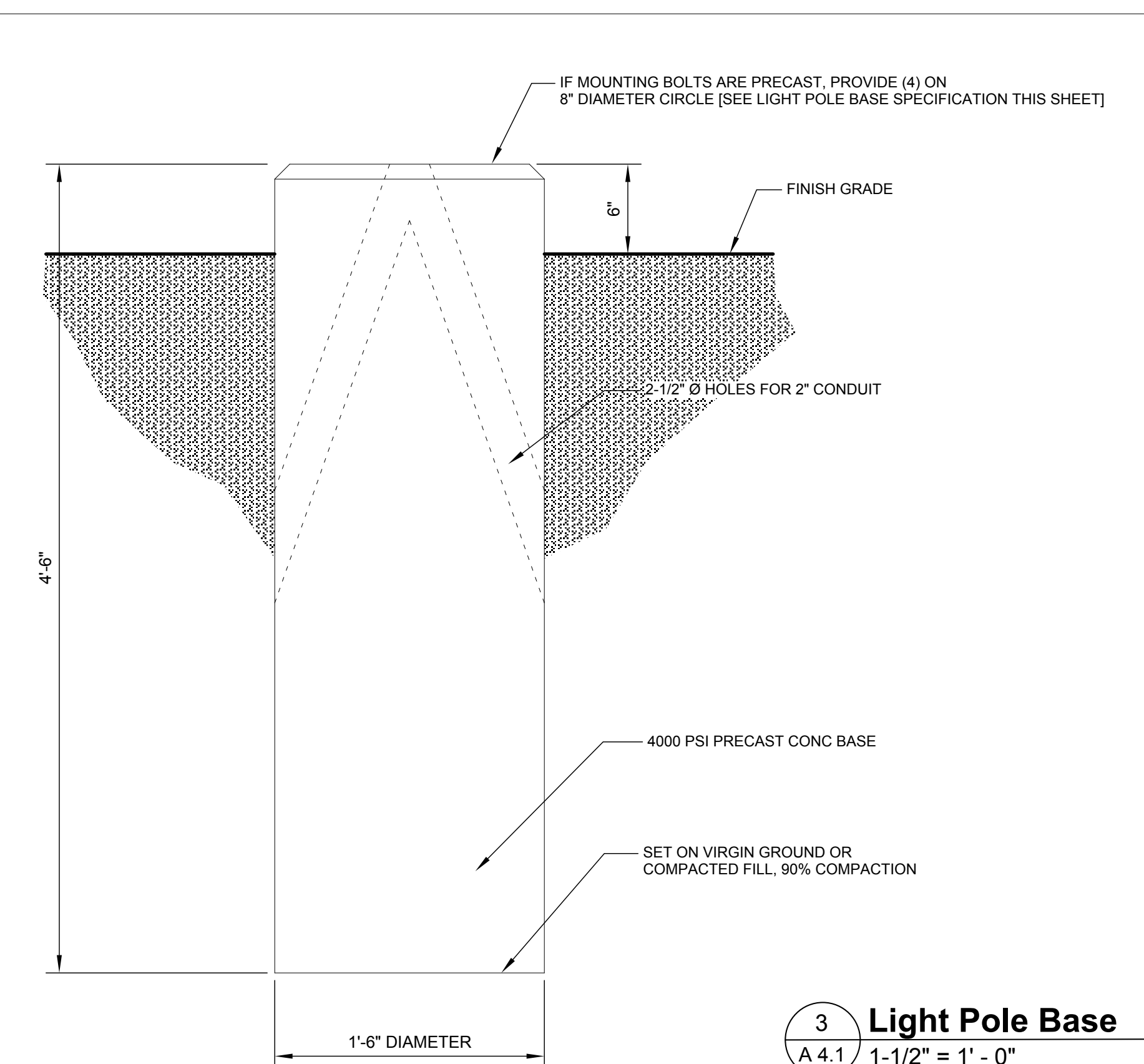
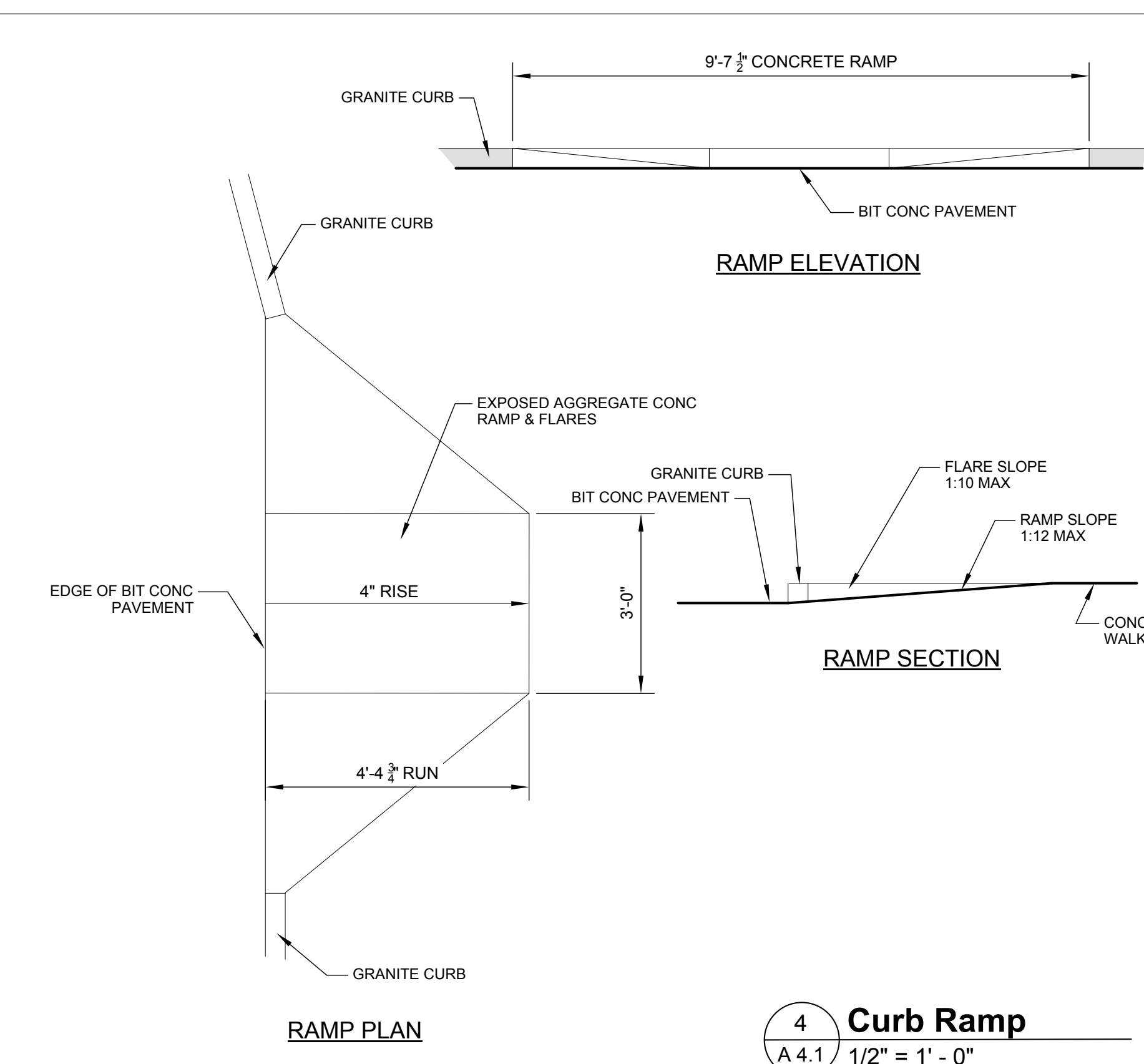
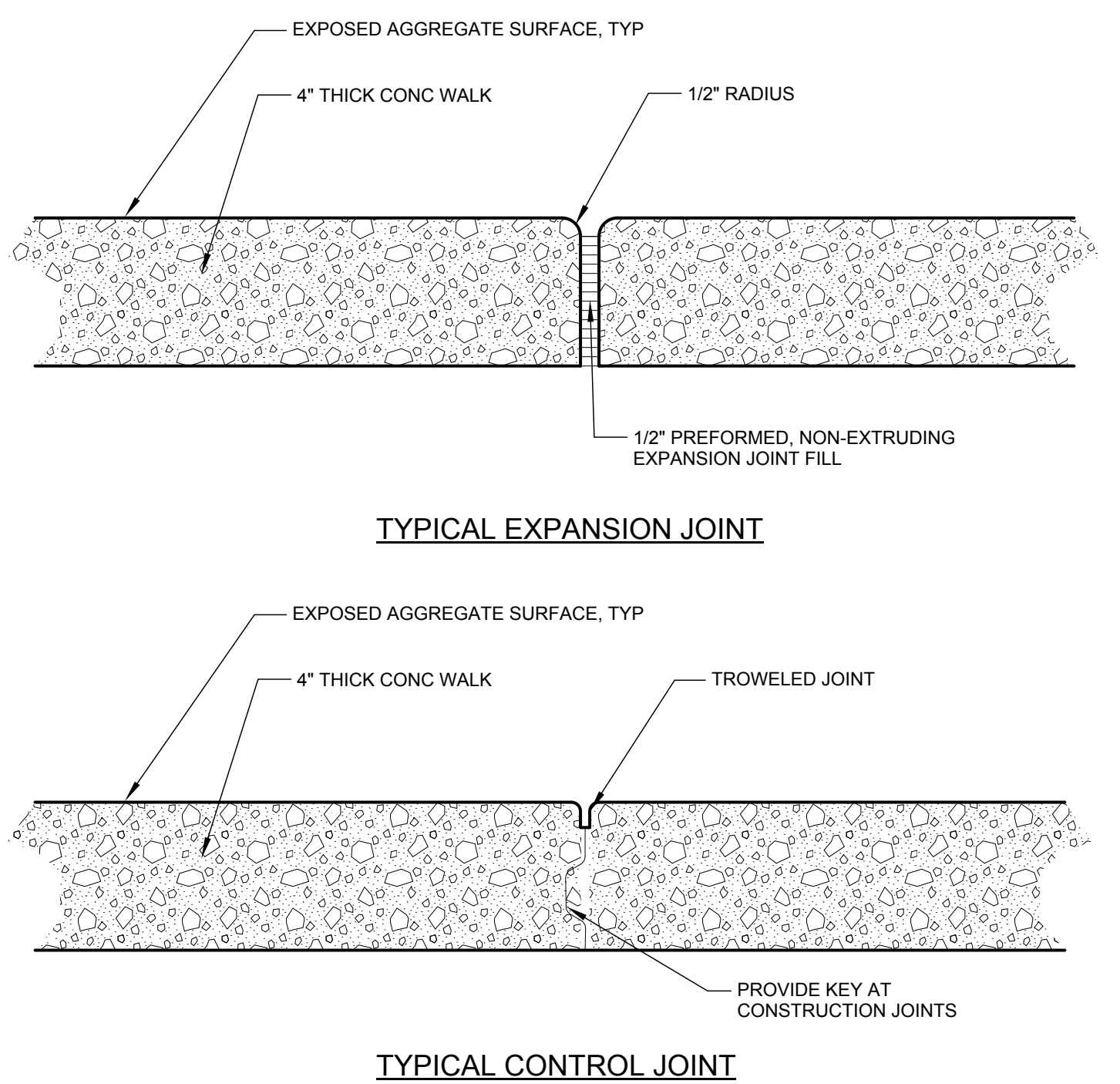
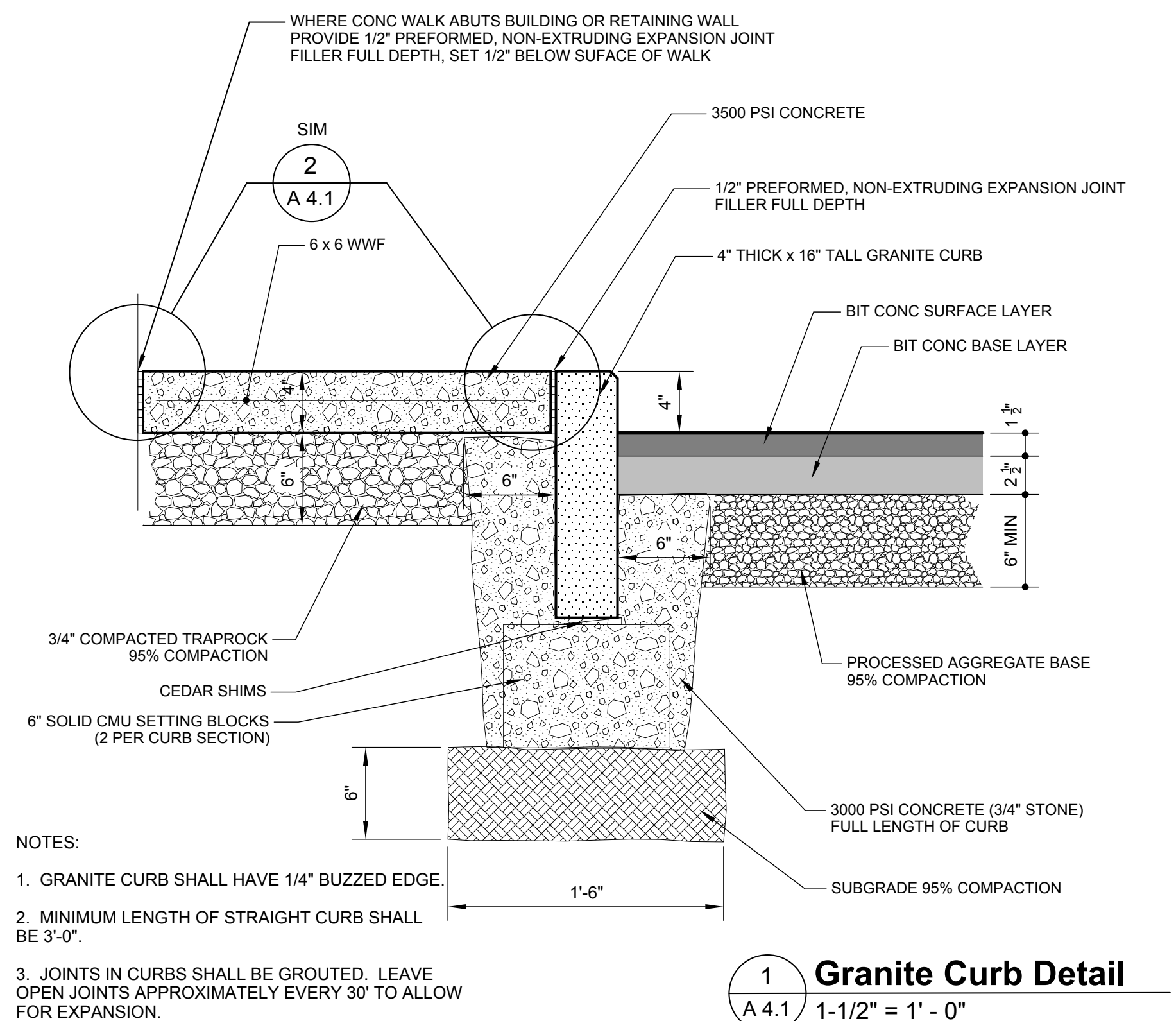


Grade Profile along Centerline of New Parking Lot



Project: _____
 Fixture Type: _____
 Location: _____
 Contact: _____

PCPTT SERIES LED Post Top Traditional

Specifications:

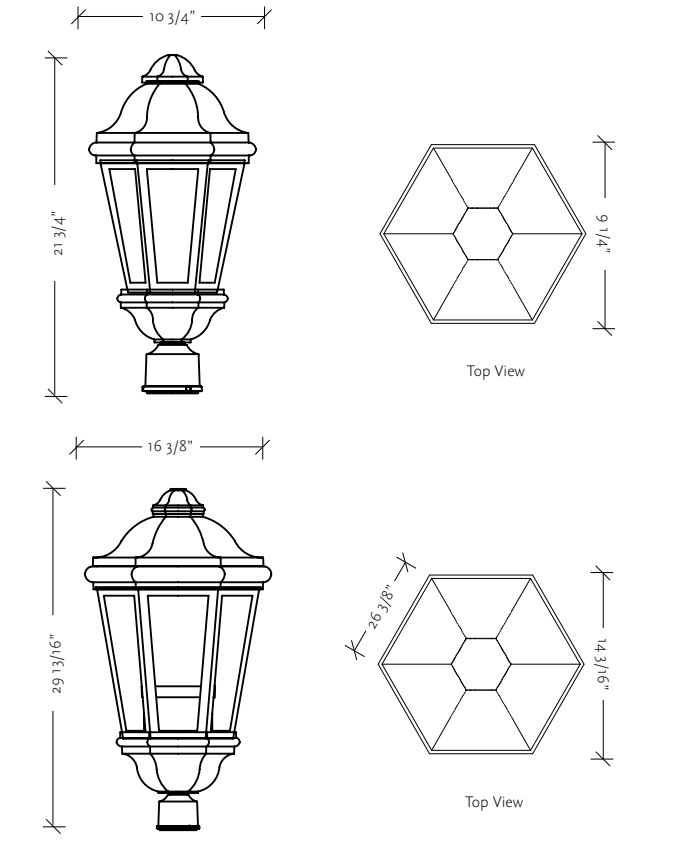
Construction:
 Traditional style post top luminaire with decorative cast aluminum cap mechanically attached to optical chamber. Cast aluminum multi-sided cage with UV stabilized acrylic lenses sealed for weather tight operation. Aluminum lower electrical chamber with bottom fliter to mount to 3\"/>

Images:

Wattage	Lumens
27W	1925 - 1990
55W	3950 - 4090
80W	5905 - 6075
110W	7875 - 8100

Construction:
 One piece optical system with internal brass standoffs soldered to the board which can be field replaced. Two-piece die cut silicone and polycarbonate foam gasket ensures weather-proof seal around each individual LED and allows luminaire to be rated for high-pressure hose down applications. The optical cartridge is secured to extruded housing with fasteners and heat pad to ensure thermal conductivity. Optics held into place without use of adhesives and complete assembly is gasketed for high pressure hose down cleaning.

Dimensions & Mounting



Electrical:
 Luminaire equipped with LED driver that operates with 120-277V universal voltage, 50/60Hz and includes on/off dimming capability. Power factor is 0.99 at full load. All electrical components rated at 50,000 hours at full load and 25°C ambient conditions. Thermal feedback between PCB and driver to protect luminaire from excessive temperature by reducing drive current as necessary. Surge protection standard with device providing surge current rating of 20kA using 8/20 µSec wave, LSP clamping voltage of 825V and surge rating of 540.

Finish:
 Polyester powder paint finish that is corrosion resistant and resists surface impacts up to 160 inch-pound.

Listing/Certification:
 The luminaire bears an NRTL label and is marked suitable for wet locations.

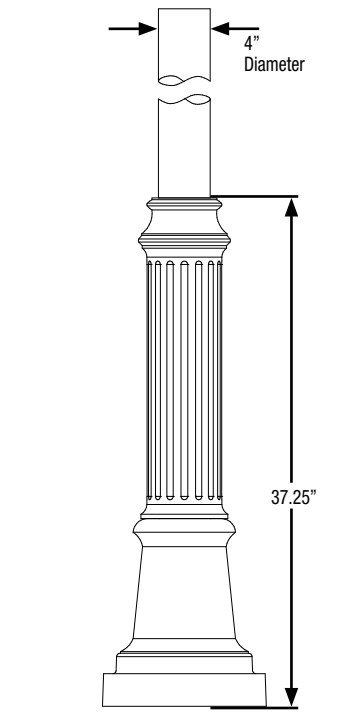
Warranty:
 5 year limited warranty covering LED array and LED driver(s).

Catalog number:

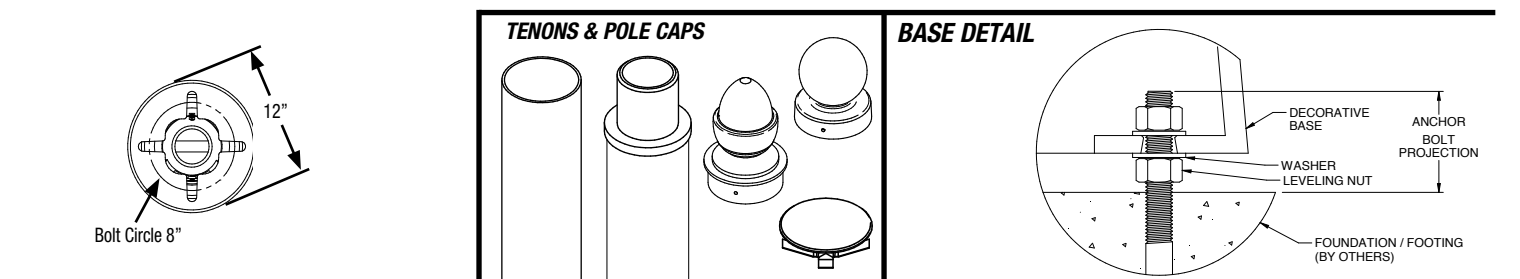
Series	Engine/Wattage	Distribution	Finish	Options
PCPTT	27 - 27W	3 - Type 3	BZ - Bronze	Blank
	55 - 55W	4 - Type 4	BL - Black	P - Photocell
	80 - 80W	5 - Type 5	GN - Green	
	110 - 110W			

For more information visit our website: www.progresscommercial.com Progress Lighting - 701 Millennium Boulevard - Greenville, SC 29607

RSA-B-FLAK SERIES POLES ROUND STRAIGHT ALUMINUM	Cat.#		
	Job	Type	



- APPLICATIONS**
- Lighting installations for side and top mounting of luminaires with effective projected area (EPA) not exceeding maximum allowable loading of the specified pole in its installed geographic location
- CONSTRUCTION**
- SHAFT: One-piece straight aluminum with fluted or smooth cross section; Extruded shafts of 6061-T6 aluminum in 1/8", 3/16", or 1/4" thickness. Decorative base of 356 cast aluminum.
 - POLE CAP OR FINALS: Cap or decorative finials available for side mounted luminaires. Open top or tenons provided for post top mounted luminaires.
 - HAND HOLE: Hand hole provided in cast base; Mounting provisions for grounding lug located behind cover
 - ANCHOR BOLTS: Four galvanized anchor bolts provided per pole with minimum yield of 55,000 psi (ASTM F1554). Galvanized hardware with two washers and two nuts per bolt for leveling
- FINISH**
- Durable thermoset polyester powder coat paint finish with nominal 3.0 mil thickness
 - Powder paint finish coat available in twelve standard colors; Custom colors available; RAL number preferable.



ORDERING EXAMPLE:
 RSA-B-FLAK - S/F - 16 - 40 - A/B/C - 2L - B3 - DBT - VM2

SERIES	STYLE	HEIGHT	SHAFT	THICKNESS	MOUNTING	DRILL PATTERN	FINISH	OPTIONS
RSA-B-FLAK	Round Straight Aluminum Pole	16	40	A/B/C	2L	B3	DBT	VM2

MOUNTING ORIENTATION

ACCESSORIES - Order Separately

Catalog Number	Description
VM2XXX	2nd mode vibration damper

Beacon Products • 2041 58th Avenue Circle East Bradenton, FL 34203 • Phone: 800-345-4928
 Due to our continued efforts to improve our products, product specifications are subject to change without notice.
 © 2016 BEACON PRODUCTS. All Rights Reserved • For more information visit our website: www.beaconproducts.com • Printed in USA. RSA-B-FLAK POLES-SP16 7/16

REVISIONS

Date	Notes

J. W. HUBER ARCHITECT
 45 Bokum Rd. P. O. Box 441
 Essex, CT 06426
 (860) 767-7334

Brainerd Memorial Library
 North Parking Lot, Pedestrian Plaza & Associated Work

920 Saybrook Road
 Haddam, CT 06438

Site Details

Job No. 18-1113

Drawn by	Date May 16, 2019
Checked by	Scale 1" = 20'

A 4.1