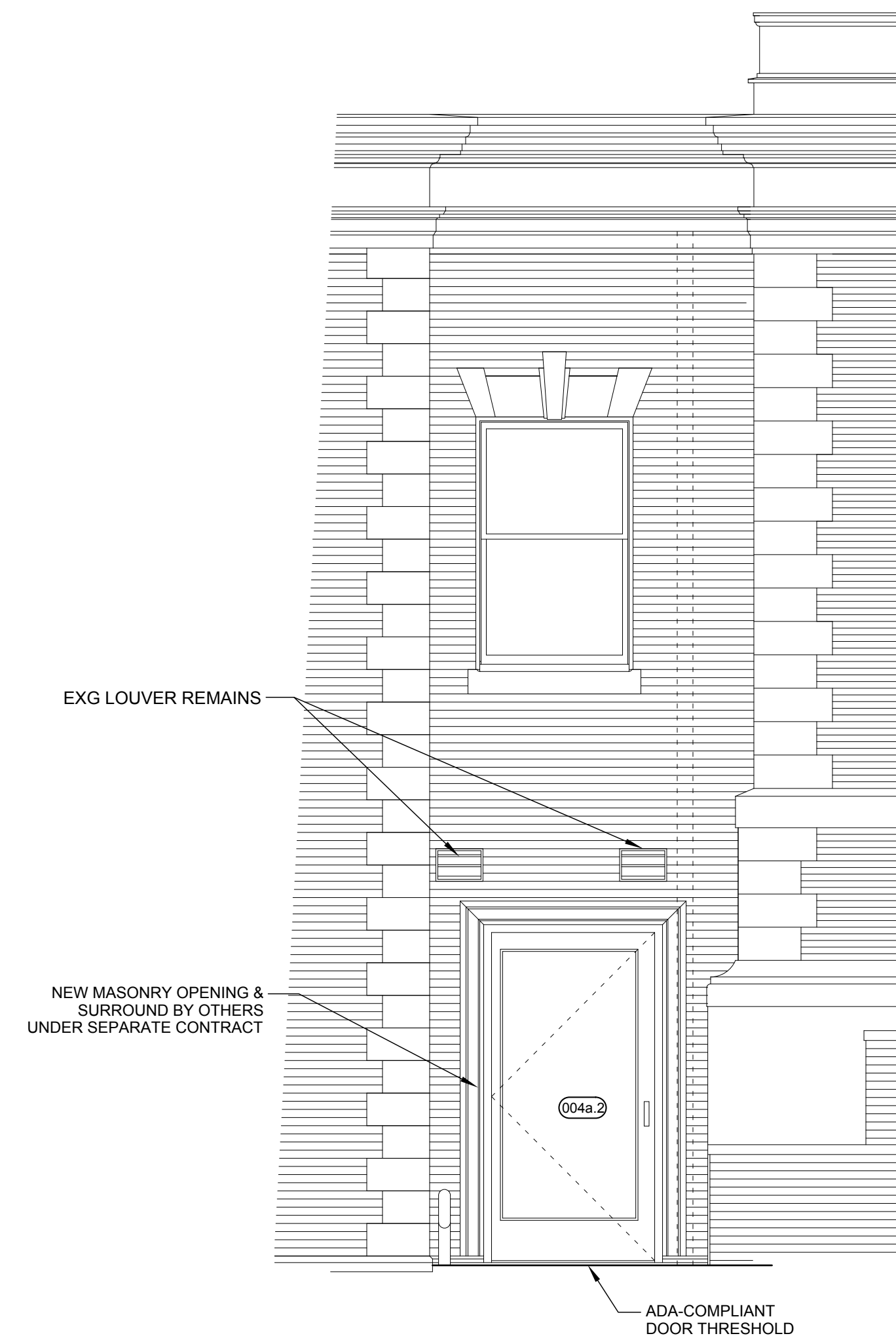
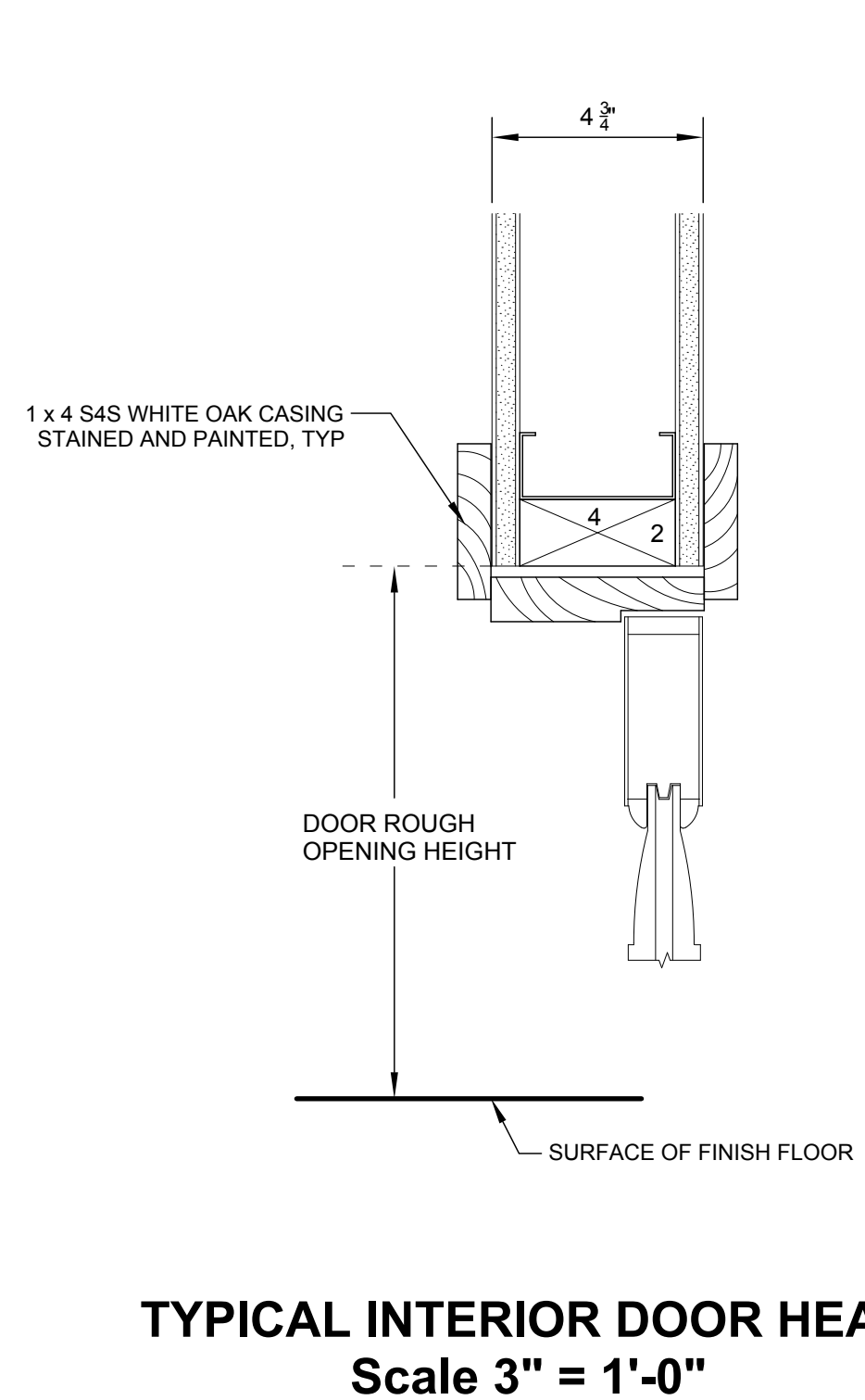
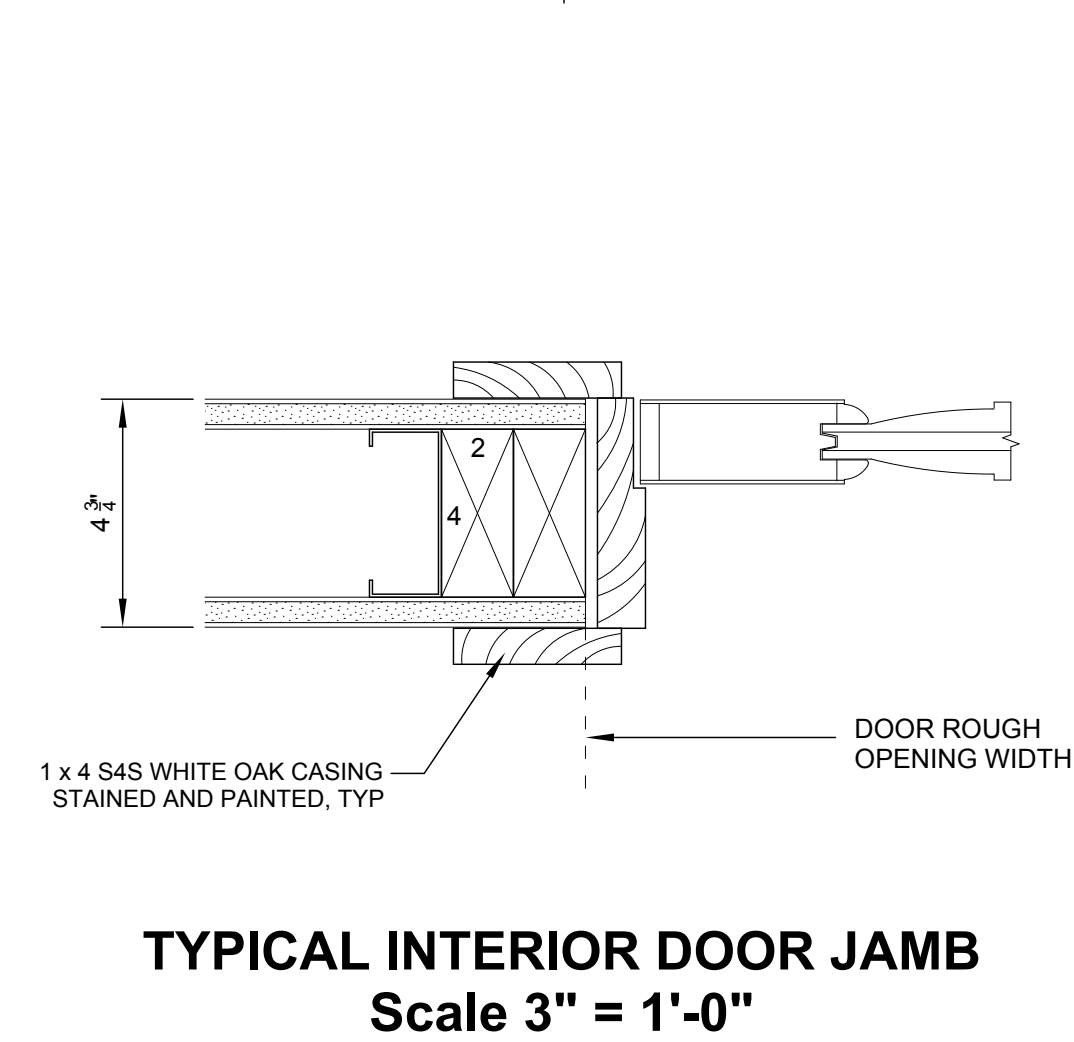
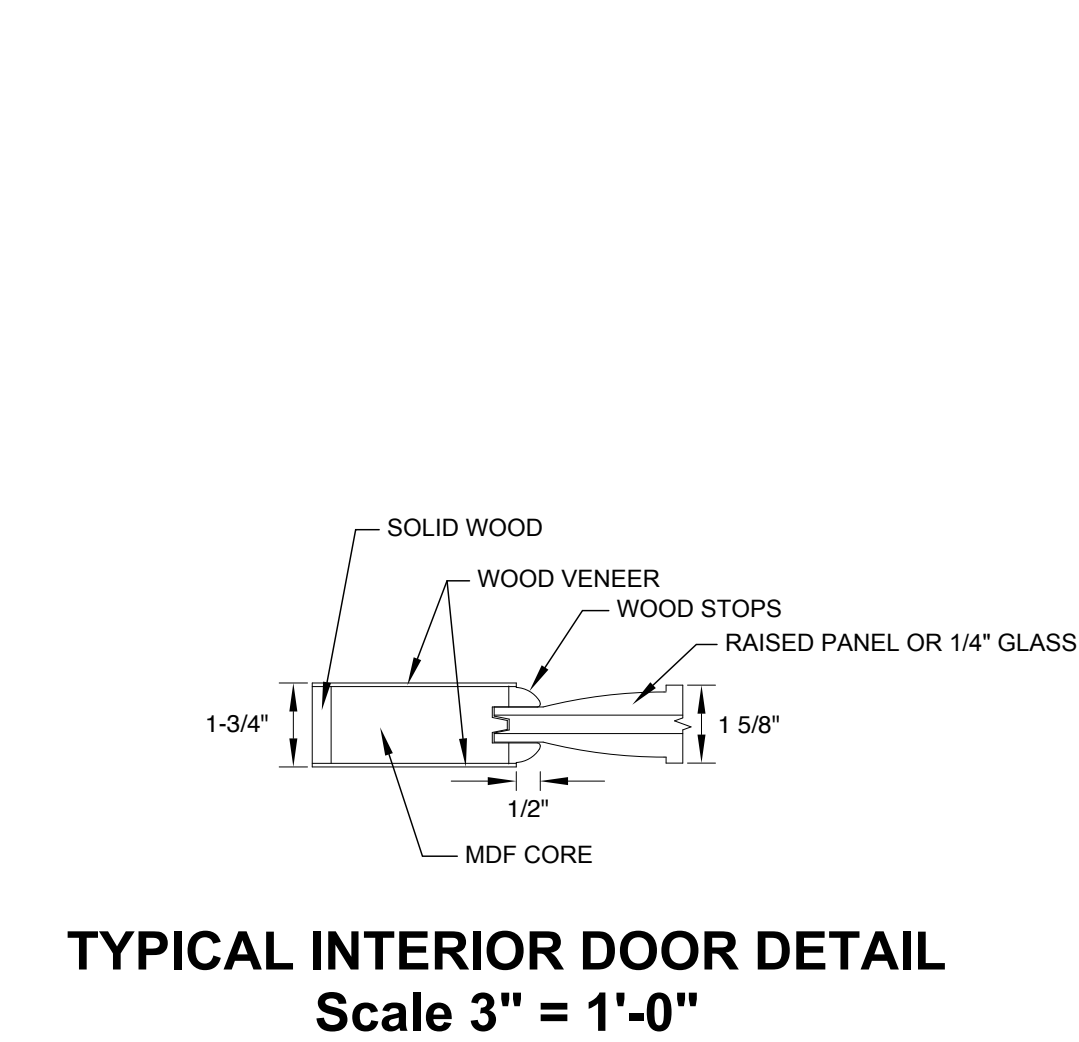
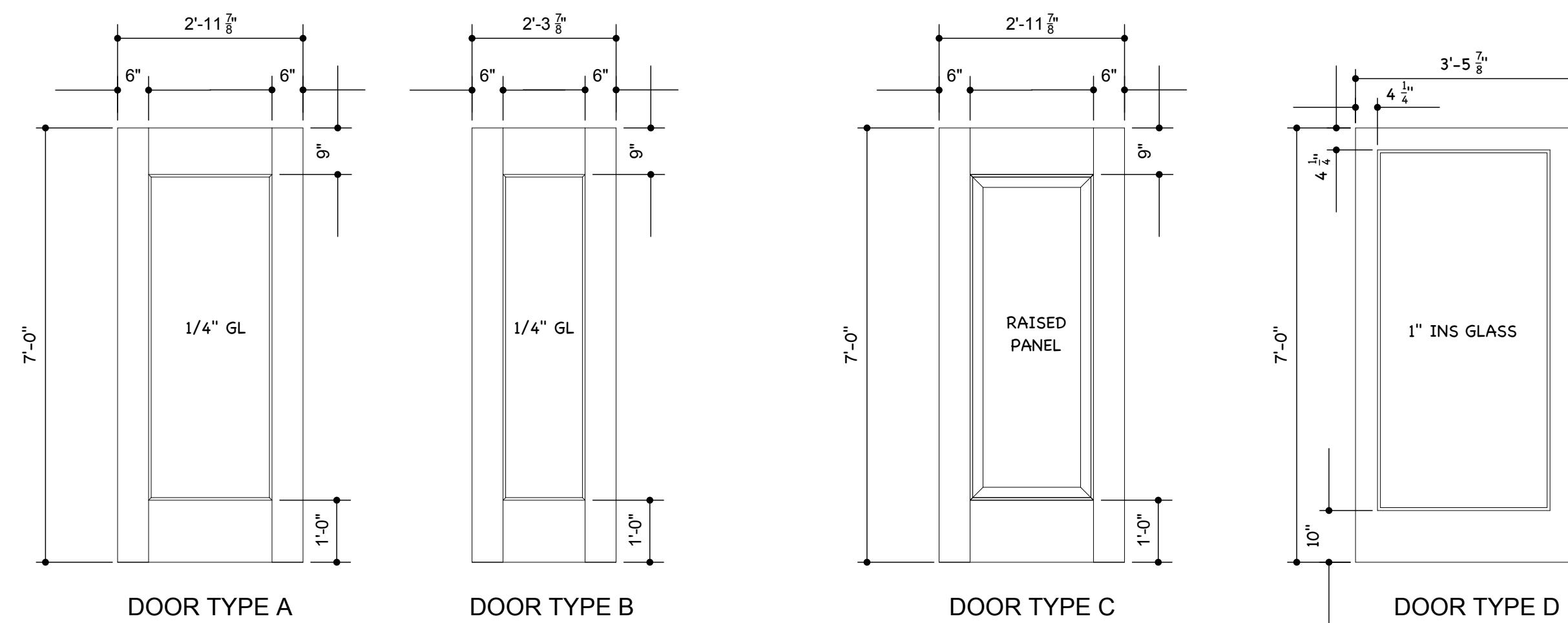


ROOM FINISH SCHEDULE

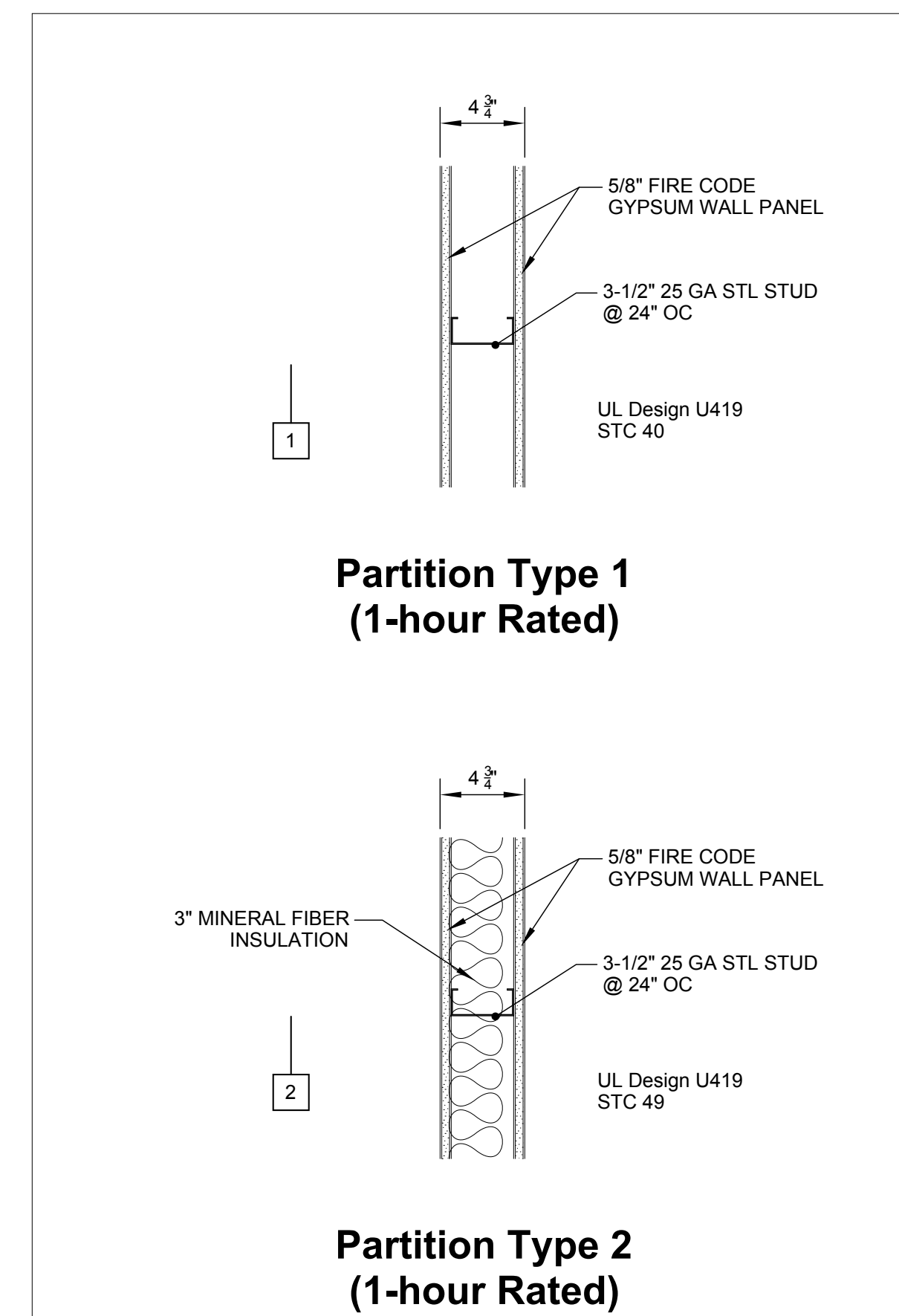
LOCATION RM NO. NAME	FLOOR	BASE	WALLS				CEILING	REMARKS		
			North	East	South	West				
001 Community Meeting	Existing Wood (no work)	Existing Wood (new to match)	Paint	Varnish	Y* N	Y* N	Y* N	Y* N	Exg Plaster/GWB patched & painted	Y* indicates painting only wall areas affected by renovation work; wood door casings stained and varnished
002 Teen Lounge (future)										No work in this area
003 Lobby	Existing Carpet (no work)	Existing Wood (new to match)	Paint	Varnish	Y	Y	Y	Y	ACP 2' x 2' Grid	Wood door casings stained and varnished
004 Corridor	Porcelain Tile on exg conc slab	New Wood (match existing)	Paint	Varnish	Y	Y	Y	Y	ACP 2' x 2' Grid	Wood door casings stained and varnished
004a Vestibule	Porcelain Tile on exg conc slab	New Wood (match existing)	Paint	Varnish	Y	Y	Y	Y	ACP 2' x 2' Grid	Wood door casings stained and varnished
005 Toilet	Porcelain Tile on exg conc slab	Ceramic	Paint	Varnish	Y	Y	Y	Y	5/8" GWB suspended, painted	Wood door casings stained and varnished
006 Existing Toilet	Porcelain Tile on exg conc slab	Ceramic	Paint	Varnish	Y	Y	Y	Y	Existing GWB patched & painted	Wood door casings stained and varnished

DOOR SCHEDULE

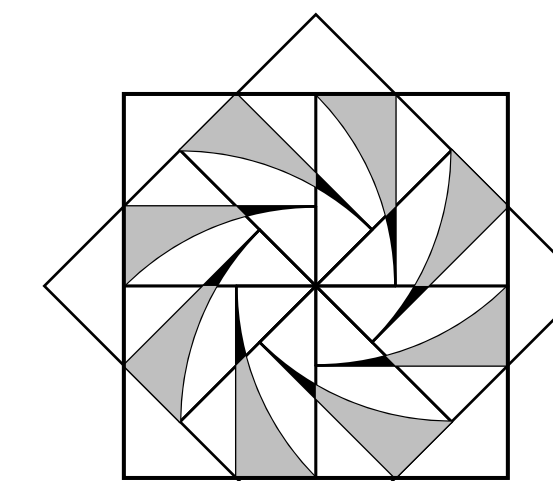
NO.	FROM	TO	DOOR SIZE			TYPE	FRAME	RO W x H	THRESHOLD		LABEL		HARDWARE SET	CLOSER	REMARKS
			W	H	THK				DETAIL	MATERIAL	HOURS	RATING			
001.1	001	003	5'-4"	7'-0"	1-3/4"	A & B	Wood	5'-6" x 7'-1"	Flush	Wd/Carpet	1/3	20 minute	Panic		Site-hung, paired door assembly with unequal leaf widths (active: 36" wide; inactive: 28" wide)
001.2	001	004	3'-0"	7'-0"	1-3/4"	C	Wood	3'-2" x 7'-1"	Flush	Wd/Tile	1/3	20 minute	Panic		Pre-hung door assembly; automatic operator
003.1	003	007	Pair 3'-0"	7'-0"	1-3/4"	A	Wood	6'-2" x 7'-1"	Flush	Carpet	1/3	20 minute	Panic		Site-hung, paired door assembly
004a.2	004a	EXT	3'-6"	7'-0"	1-3/4"	D	Aluminum	3'-9 1/2" x 7'-2" MO	ADA-comply	Aluminum	N/A	Non-rated	Exit		Automatic operator
004a.3	004	004a	3'-6"	7'-0"	1-3/4"	A	Wood	3'-8" x 7'-1"	Flush	Tile	N/A	Non-rated	Panic		Pre-hung door assembly; automatic operator
005.1	004	005	3'-0"	7'-0"	1-3/4"	C	Wood	3'-2" x 7'-1"	Flush	Tile	1/3	20 minute	Privacy		Pre-hung door assembly; power assist operator
006.1	004	006	3'-0"	7'-0"	1-3/4"	C	Wood	3'-2" x 7'-1"	Flush	Tile	1/3	20 minute	Privacy		Pre-hung door assembly; power assist operator



1 Lower Level Exterior Elevation/Door 004a.2
A3.0 3/8" = 1' - 0"



REVISIONS	
Date	Notes



J. W.
HUBER
ARCHITECT
45 Bokum Rd. P. O. Box 441
Essex, CT 06426
(860) 767-7334

Brainerd Memorial Library
Accessible Entrance & Associated
Alterations
920 Saybrook Road
Haddam, CT 06438

Door Schedule & Details
Room Finish Schedule
Partition Types

Job No. 18-1113

Drawn by	Date May 16, 2019
Checked by	Scale 1/4" = 1'-0"

A
3.0